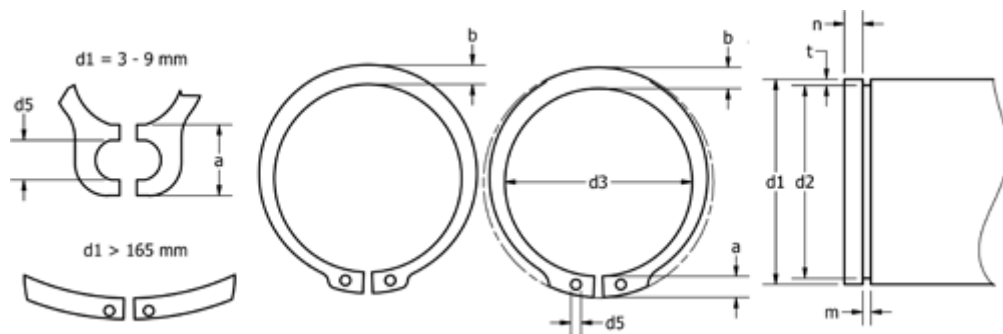


Article number: 0101188
 Description: Retaining ring A 280 DIN 471
 Spring steel
 Note: Fitted with ZGA pilers

Measures



a max	= 16.2	FN kN	= 576.0	s	= 5.00
AN mm ²	= 3460.0	FRg kN	= 50.00	t	= 4.00
b	= 16.0	FR kN	= 508.00	tol	= -0.81
d1	= 280	g	= 6.0	tol	= -0.12
d2	= 272.0	K kN-mm	= 1164.00	tol	= +0,81-2,00
d3	= 265.0	m min	= 5.15	Tong	= ZGA-6
d5 min	= 5.0	n abl x 1000	= 1.0	Weight kg/1000	= 398.000
Description	= A280	Nominal drive	= 12.0		